

## C2 Compression Latch

### Lever latch

#### Features

- Low profile when latched
- Easy grip adjustment
- Push button actuation
- Optional sealing
- For sealed option, NEMA 4 / IP65 sealing is achieved using the supplied flange gasket

#### Installation Notes

- For door thickness greater than 5, calculate screw length using the following formula: Door thickness +12

#### Material

- Zinc alloy, powder coated or chrome plated and steel, zinc plated

#### Product Performance

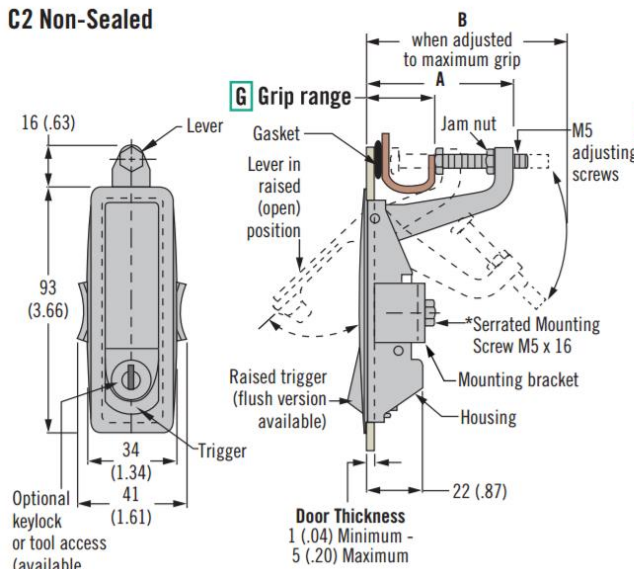
- Maximum static load: 200 N

#### Accessories

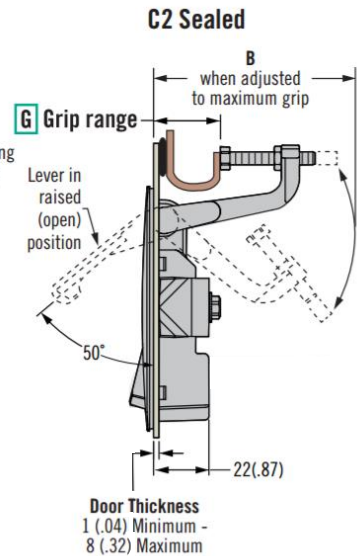
- Rubber bumper (C2-25-301-82): reduces min. and max. grip by 1.6



### C2 Non-Sealed



### C2 Sealed



### L Lock Styles



Key-locking  
keyed CH751



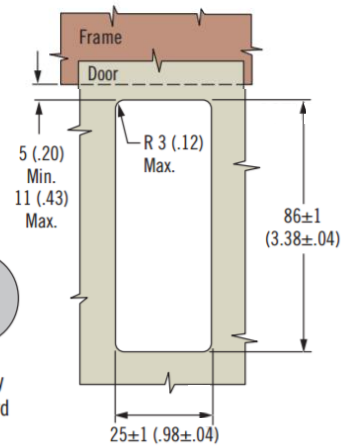
4 (.16)  
Hex recess



No. 2 Phillips  
recess



Railway  
Standard



#### L Lock style

- 1 Non-locking raised trigger
- 2 Key-locking raised trigger keyed CH751 (two flat keys supplied)
- 3 Flush trigger non-locking
- 4 4 (.16) Hex recess raised trigger
- 10 No. 2 Phillips raised trigger
- 13 Locking without lock core (contact Gripwell for lock core options)
- 14 Railway standard

#### S Sealing Option

- 3 Non-sealed
- 4 Sealed

#### F Finish

- 1 Textured chrome
- 5 Black powder coated

#### P Packaging option

- 3 Latches are sold layer packed. Omit for individually packaged latches.

C2 - S G - L F - P

	Grip Range	A	B
2	1 - 24 (.04 - .95)	35 (1.38)	63 (2.48)
3	23 - 46 (.91 - 1.81)	57 (2.24)	84 (3.31)